

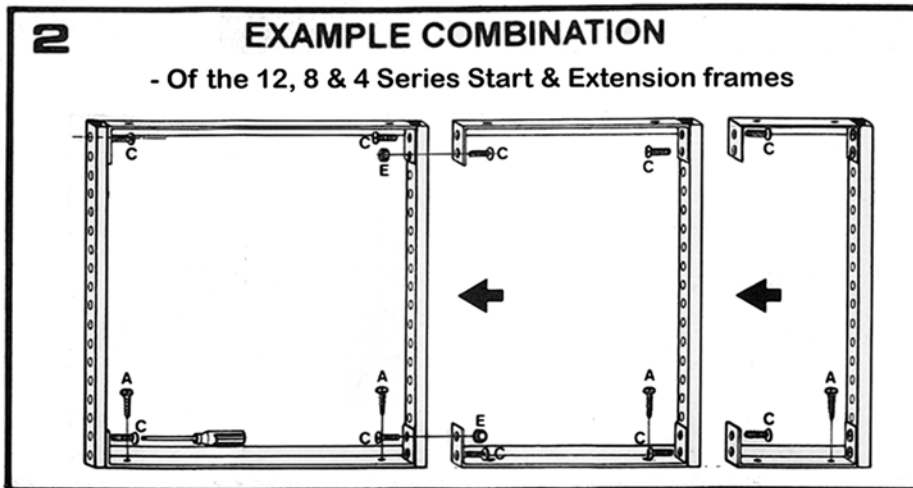
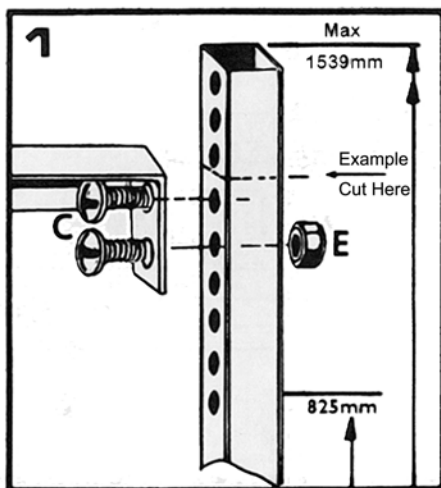


ROLA Shelf
ROLA-CASE

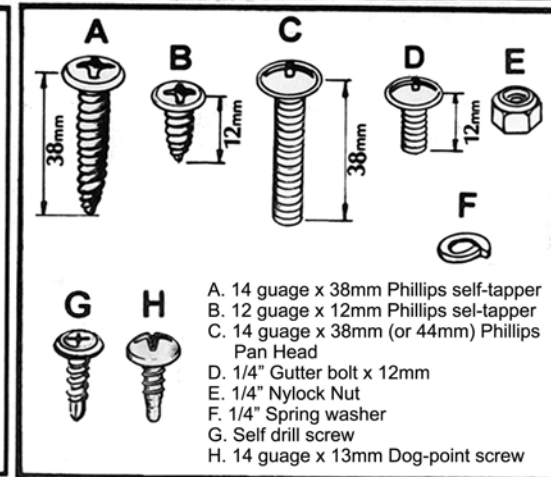
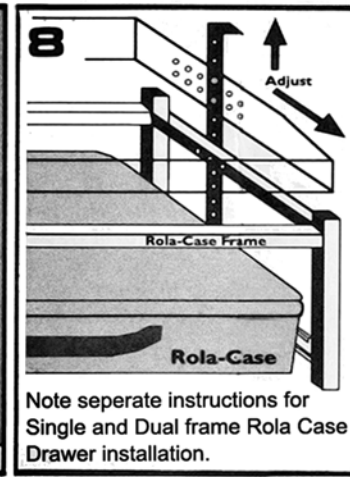
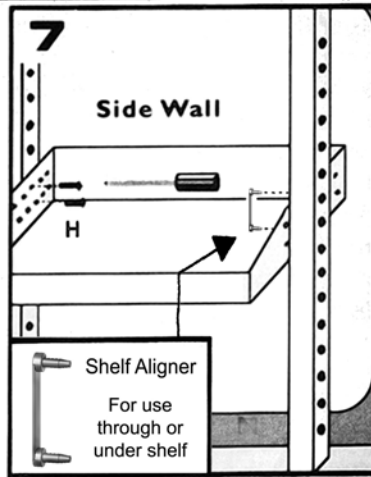
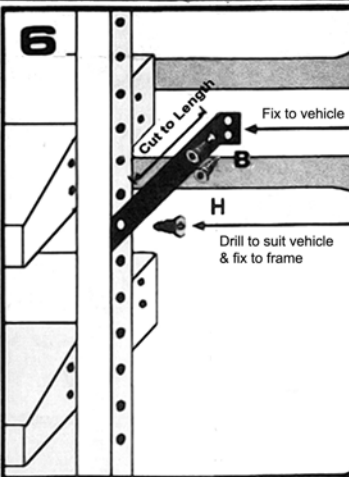
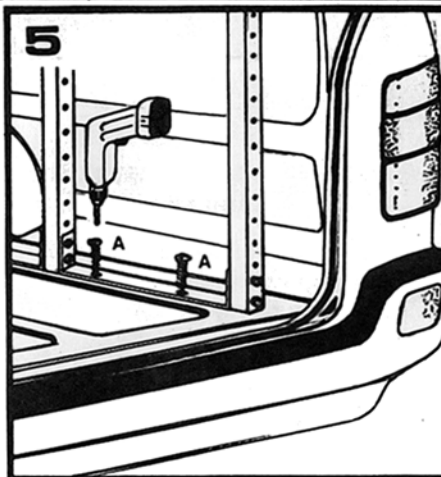
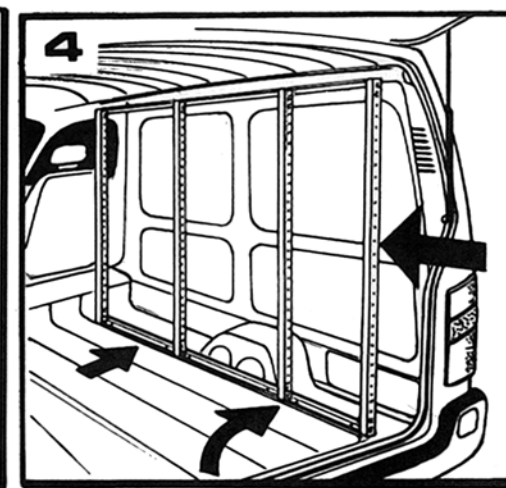
ASSEMBLY INSTRUCTIONS

PLEASE READ CAREFULLY

Designed and Manufactured in Australia by:
THOMAS MOLONEY PTY LTD T/as ON SITE SYSTEMS
PH : (02) 43401444 Fax : (02) 43401400
Email : enquiry@rolacase.com
Web : www.rolacase.com



3
Fix shelf rail attachments as per separate instructions



1. Measure vehicle's internal height from floor to top of bulkhead. Cut vertical post (if necessary) as per instructions.
2. Assemble bay or as many bays as required outside of the vehicle.
3. Fix shelf rail attachments as per separate instructions.
4. transfer assembled bays into the inside of the vehicle near wheel arch on uniform / level surface.

5. Using screws secure base of frames to vehicle floor. (If necessary, use gutter bolt and Nylock Nut under floor).
6. Attach bracing strap to every vertical post (this reduces vibration) as shown between shelf locations and to vehical.

7. Locate shelves as close to vehicle wall as possible and or in the desired location.
8. Rola Case Frame Installation: - Locate position on the vertical post (Rola Shelf) and drill correspondingly in the Rola Case Frame; screw into position. Load frame with Rola Cases as required. No hardware supplied. See separate instructions for full frame installation instructions.

For customer support contact: THOMAS MOLONEY PTY LTD