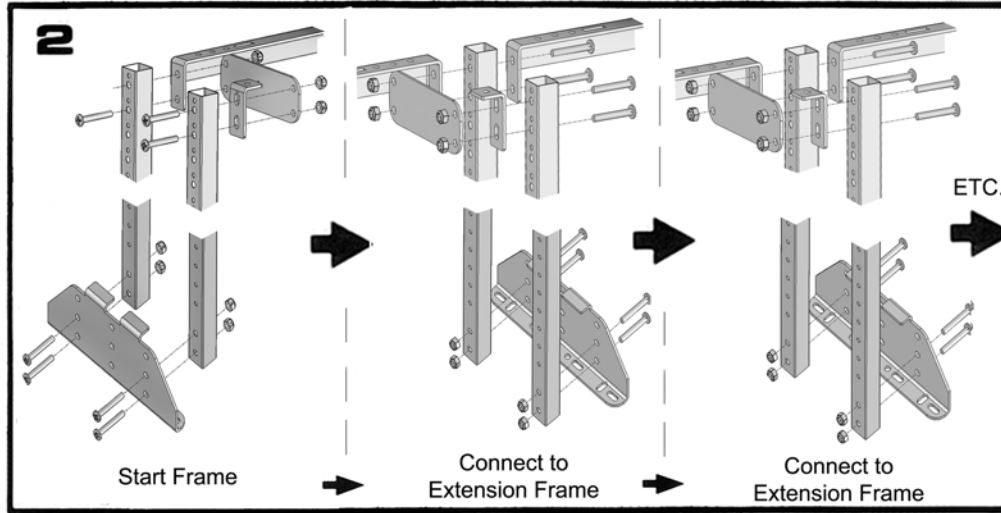
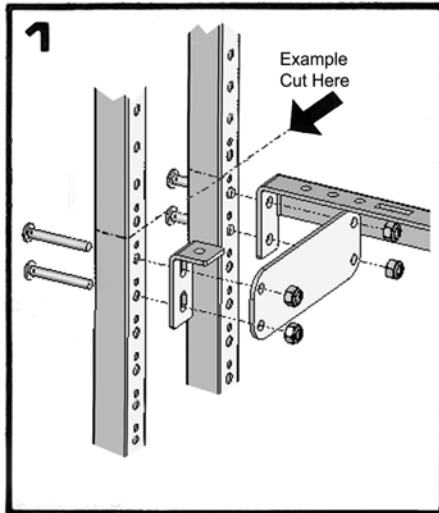


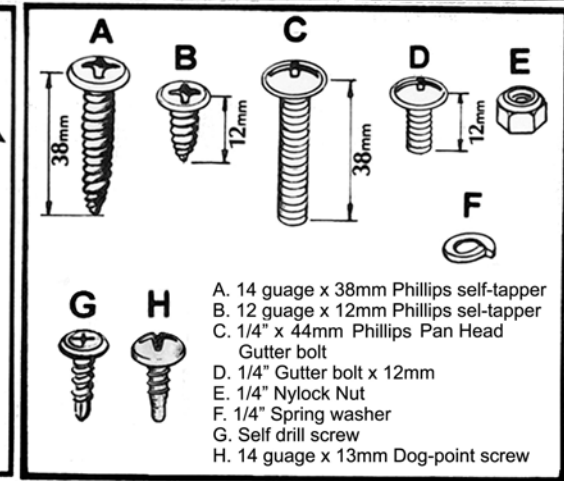
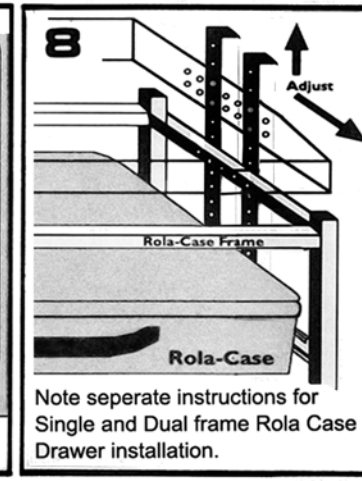
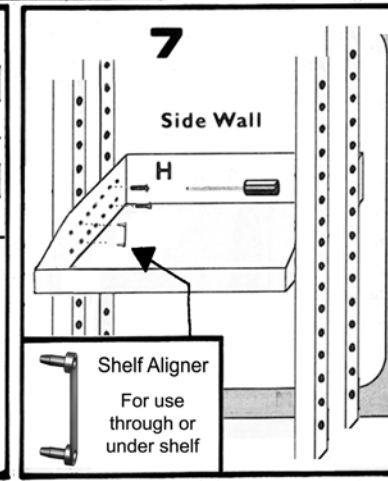
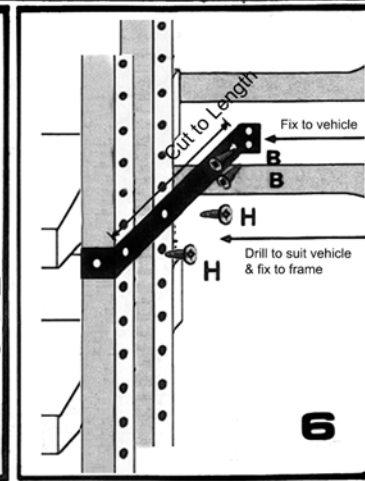
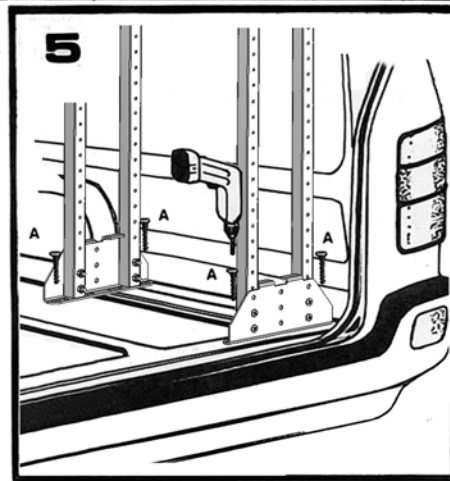
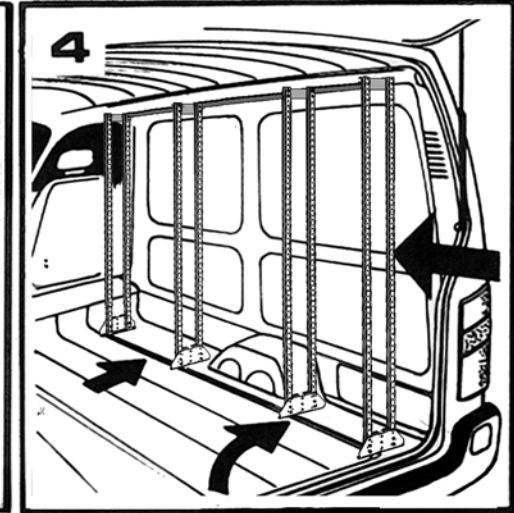
HEAVY DUTY DUAL POST ASSEMBLY INSTRUCTIONS

PLEASE READ CAREFULLY

Designed and Manufactured in Australia by:
THOMAS MOLONEY PTY LTD T/as ON SITE SYSTEMS
 PH : (02) 43401444 Fax : (02) 43401400
 Email : enquiry@rolacase.com
 Web : www.rolacase.com



3
 Fix shelf rail attachments as per separate instructions



Note: Before commencing installation check separate installation instructions for RSLBX / 81 , 82 & RSCAB / 81 re. Door alignment procedure + RSRM1 re. Cant rail fitment

1. Measure vehicle's internal height from floor to location on cant rail (bulkhead). Cut vertical posts to selected height.
2. Assemble frames as required outside vehicle. Consider location of wheel arch and floor support and distance from cant rail.
3. Fix shelf rail attachments as per separate instructions.
4. Transfer assembled frames into vehicle and attach to cant rail fittings.

5. Using screws secure base of frames to vehicle floor. (If necessary use gutter bolt and Nylock Nut under floor). Ensure frame is square and vertical from front and side elevation, attach lower shelf to ensure floor frame spacing between posts is correct distance.
 12 Series-1260mm / 8 Series-840mm / 4 Series-420m
6. Attach vibration strap to vertical posts (reduces vibration). Dont drill holes for screw B - let screw cut hole.

7. Locate shelves in desired location with shelf aligners, ensure the shelf location allows easy use of plastic bin and operation of shelves and accessories. Remove plastic shelf aligners and fasten shelves with H screw.

Note: Overloading or incorrect installation of equipment may lead to vehicle fastening system failure and will not be covered under product warranty.

For customer support contact: **THOMAS MOLONEY PTY LTD**