

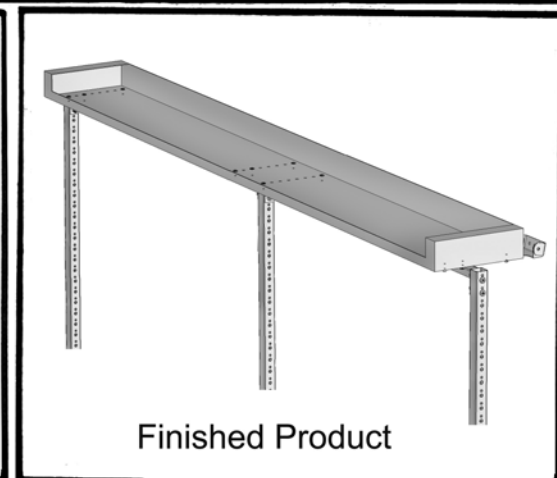
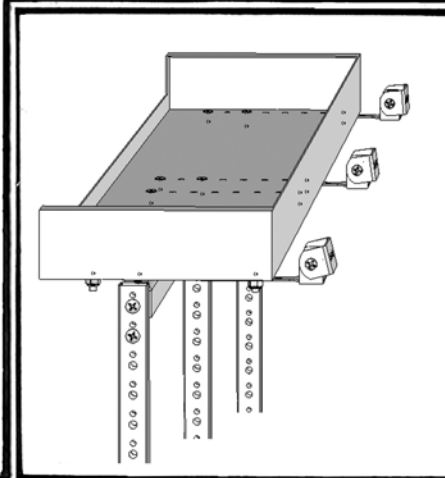
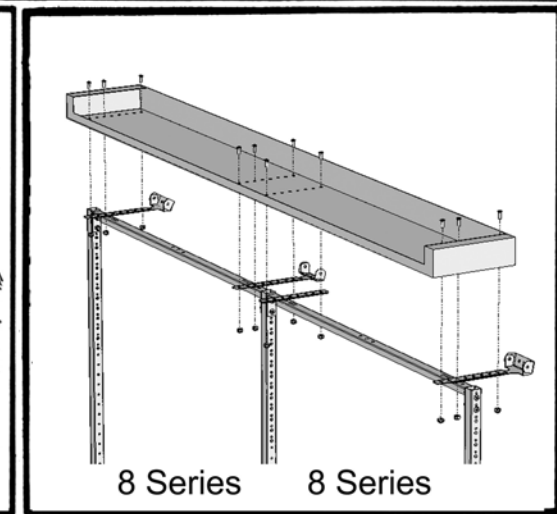
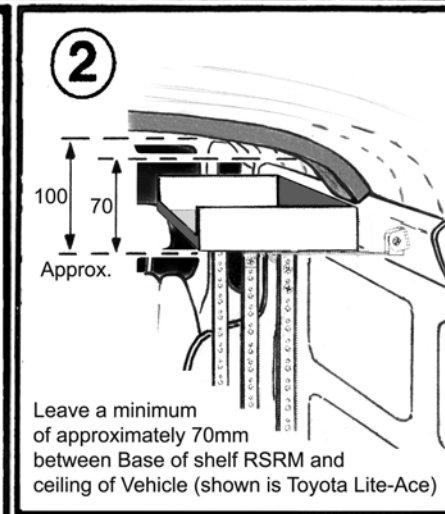
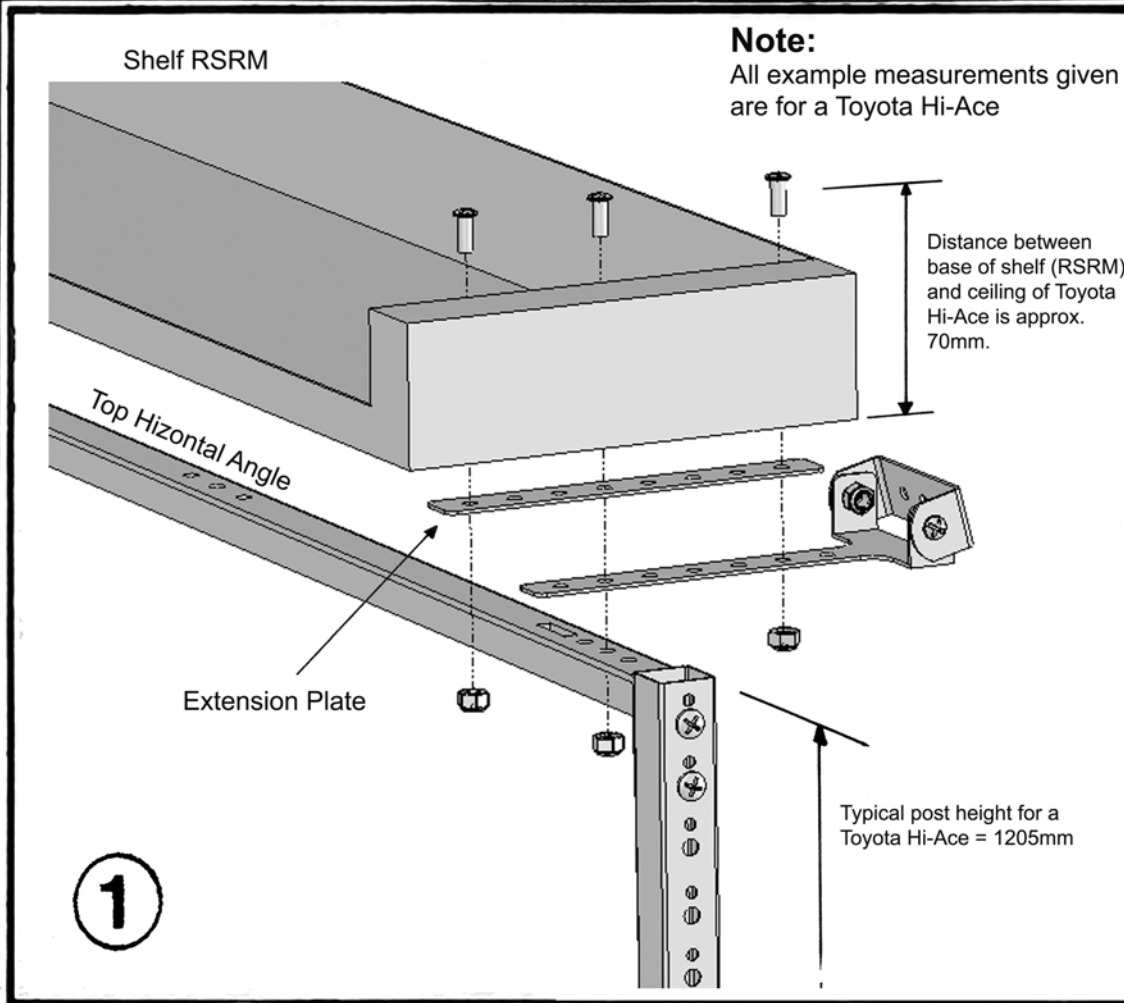


**ROLA Shelf**  
**ROLA-CASE**

# ASSEMBLY INSTRUCTIONS

## PLEASE READ CAREFULLY

Designed and Manufactured in Australia by:  
**THOMAS MOLONEY PTY LTD T/as ON SITE SYSTEMS**  
PH : (02) 43401444 Fax : (02) 43401400  
Email : enquiry@rolacase.com  
Web : www.rolacase.com



- The exact location of Shelf RSRM and the Top Hizontal Angle will be determined by the vehical type. Pic. 1 relates to the typical measurements of a Toyota Hi-Ace van.

- The Shelf RSRM is ideally located over the center of the Top Hizontal Angle with the Extension Plate used for additional support. The minimum distance between the Top Hizontal Angle and the lowest point of vehicle ceiling is 70mm to allow for easy installation (As shown in Pic. 2).