



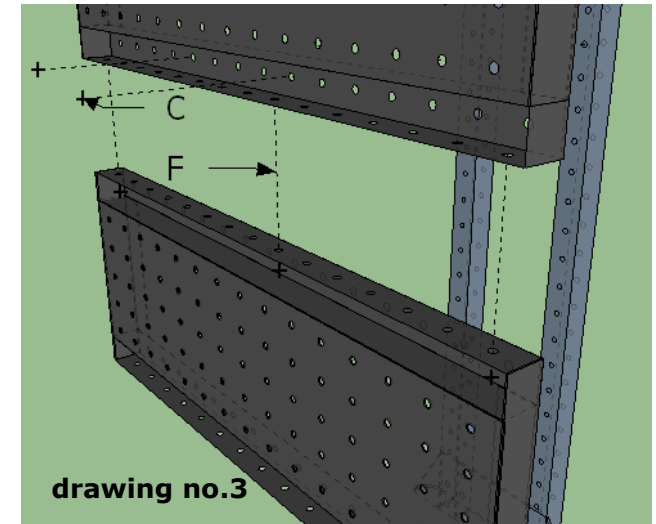
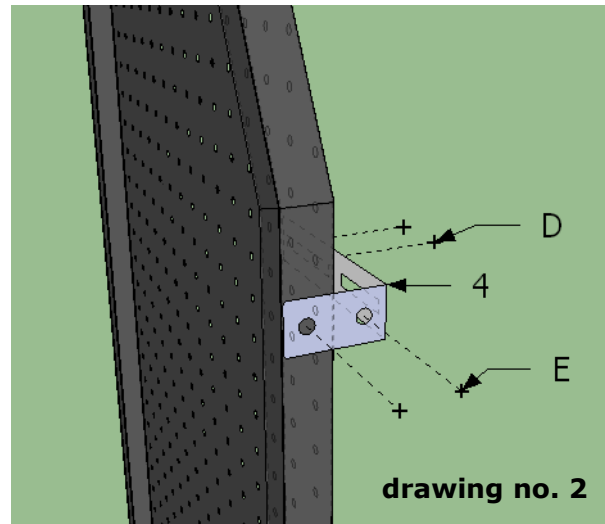
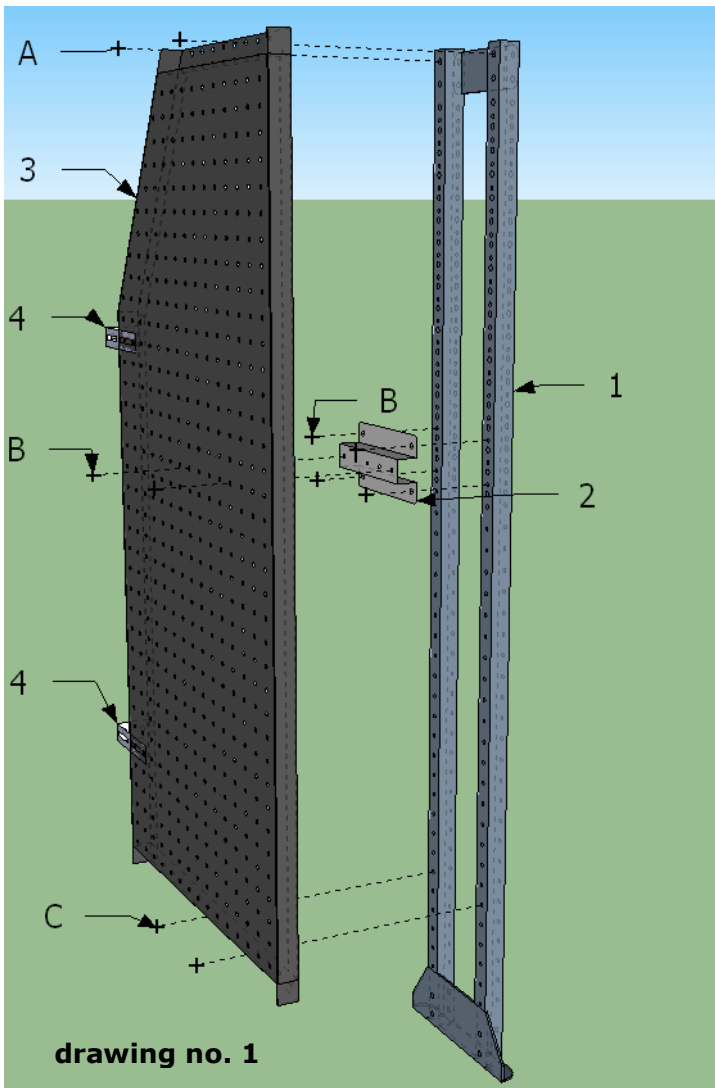
ROLA-CASE
ROLA-Shelf

ASSEMBLY INSTRUCTIONS
PLEASE READ
CAREFULLY

DESIGNED IN AUSTRALIA BY:
THOMAS MOLONEY PTY LTD.
PH 02 4340 1444 FAX 02 4340 1400
EMAIL enquiry@rolacase.com
www.rolacase.com

catalogue no. RSPEP / LEFT & RIGHT PANELS

RSPEP/EX



Instruction Guide

Use dual HD post where possible for RSPEP fitment.
RSPEP fitment varies for vehicle type. Fit RSSFR/HD- into vehicle and fit RSPEP to posts.
RSPEP- should be about 10 mm from vehicle wall, RSPEP is adjustable vertically & horizontally.
Check RSSFR/HD & RSPEP for position & fitment suitability and continue to proceed with installation.
RSPEP/EX bolt directly to RSPEP. re drawing 3. Other accessories available in catalogue.

Parts Schedule

- 1-dual post.
- 2-RSPEP- Rear Support x 1.
- 3-RSPEP- Panel. x 1.
- 4-RSPEP-Angle Bracket x 2.

Fastening Schedule

- A-2 X 2 1/2" X1/4 bolts & nylocs.
- B-6 X 14 # dog head screws.
- C-2 X 14 # 1 1/4 " self tappers.
- D-2 X M5 X15mm bolts & nylocs.
- E-2 X 12 # X1/2" self tappers.
- F-2 X 1/2" x 1/4" bolts & nylocs.