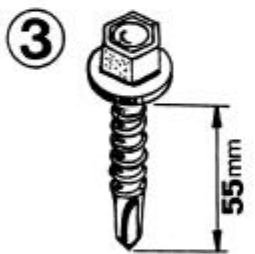
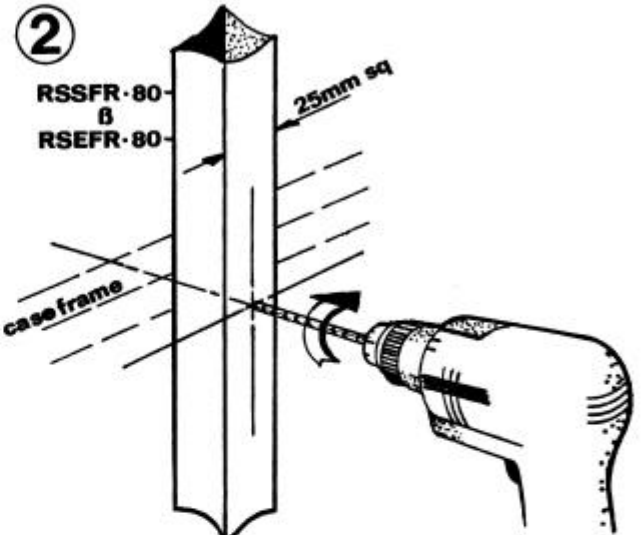
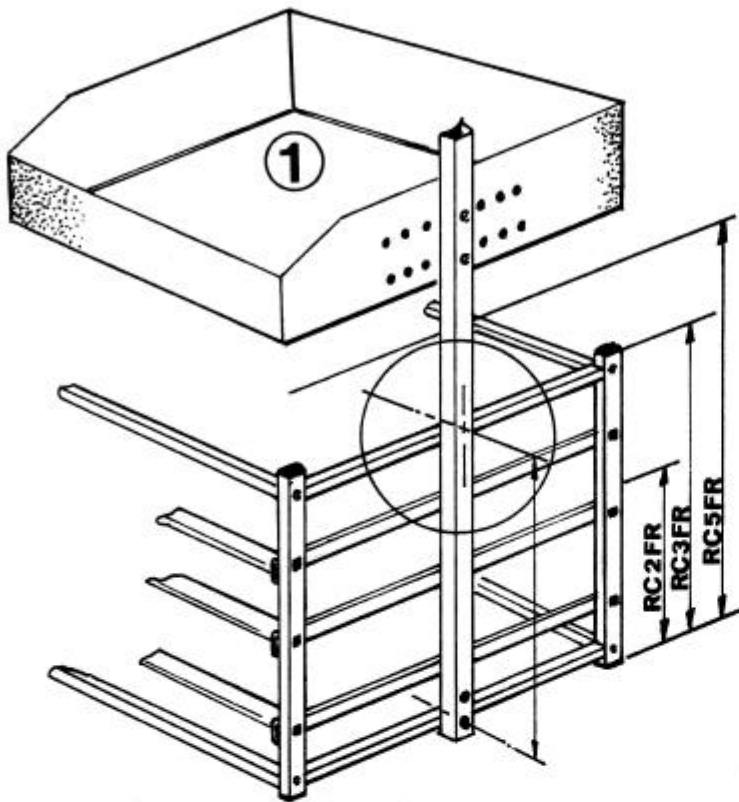




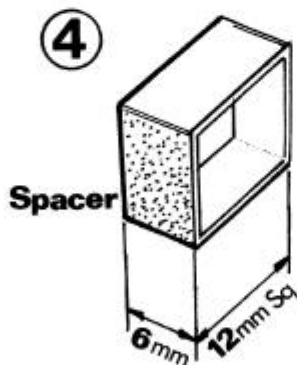
ROLA·Shelf ROLA·CASE

THOMAS MOLONEY Pty Ltd

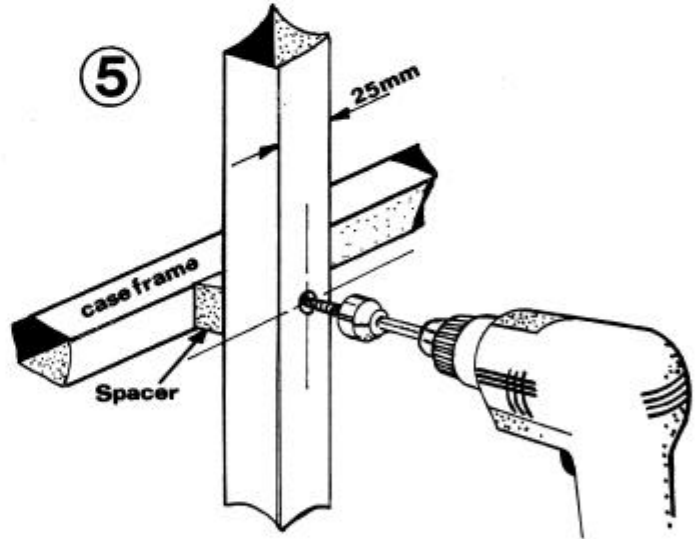
ASSEMBLY INSTRUCTION for ROLA·CASE Dual frame + 8 series ROLA·Shelf combination



Tex screw



Spacer



1. Discard lower horizontal cross bar from ROLA-SHELF assembly (RSSFR-80 or RSEFR-80)
2. Determine location of shelf upright in line with top cross member of the ROLA-CASE frame RCF-2-3-5 (Diag. No.1).
3. Drill hole for RCF-2-3-5 frame height through the 25mm square ROLA-SHELF upright frame (Diag. No.2).
Base location are in place with two holes.
Utilize bottom hole for base location.

4. Offer tex-screw (hex head Diag. No.3) through side frame upright, with square spacer (Diag. No.4) in place between case frame and upright of shelf frame. Use a power tool and hex-bit to drive tex-screw into case frame. The tex-screw will self tap and drill at the one time (Diag. No.5).
5. Follow all other applicable instructions for assembly of ROLA-CASE and ROLA-SHELF frames.