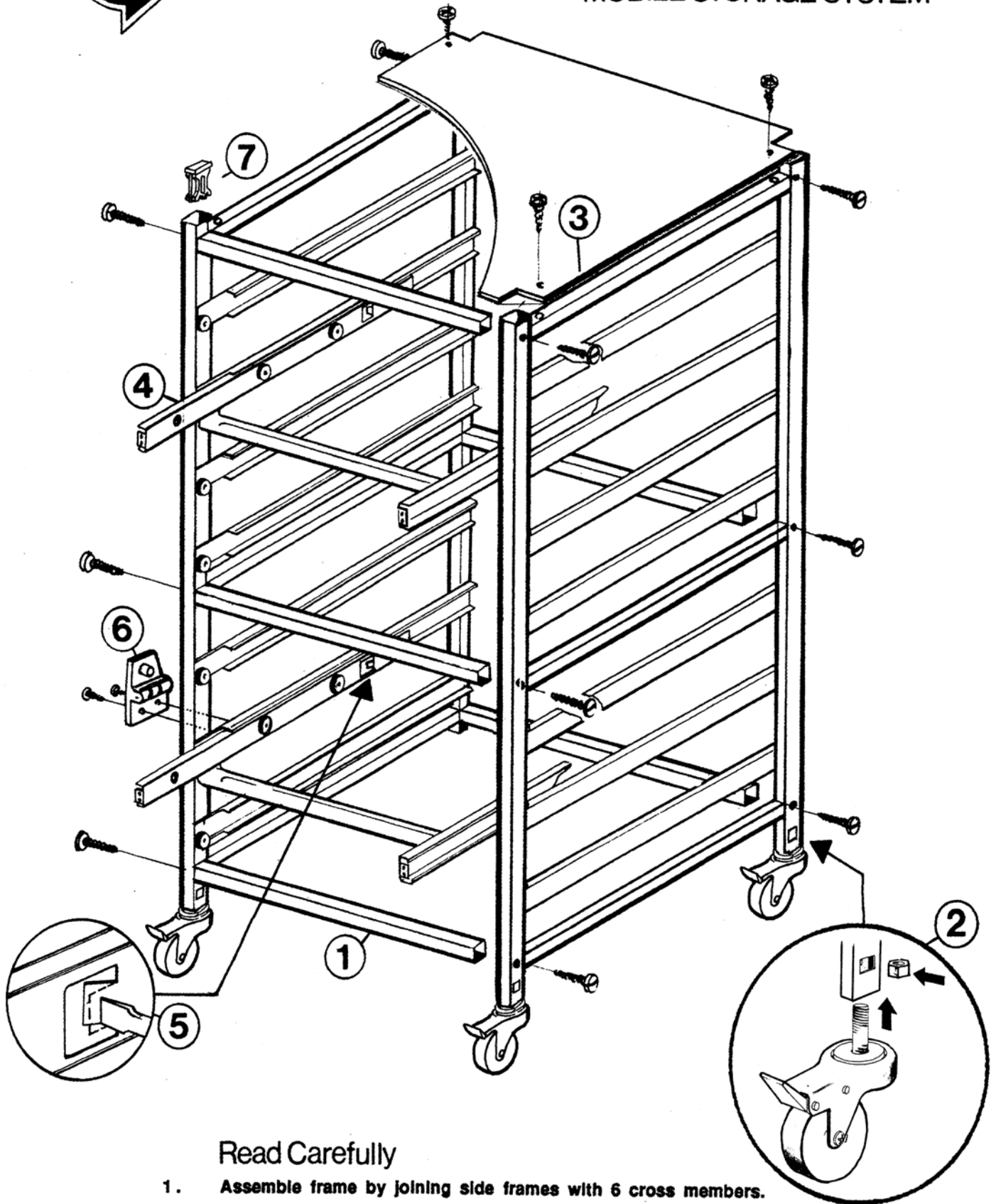




ROLA-CASE
THOMAS MOLONEY Pty Ltd

ASSEMBLY INSTRUCTIONS RC7MB
MOBILE STORAGE SYSTEM



Read Carefully

1. Assemble frame by joining side frames with 6 cross members.
2. Attach wheels as per instructions with wheels.
3. Attach work top using screws and double-sided tape.
4. Insert 7 draw carriage.
5. With screwdriver bend tag on draw carriage 3-4 mm inward to lock (as shown on diagram 5).
6. Fit grey case retainers with Philip screws.
7. Insert finishing caps to top of frames.